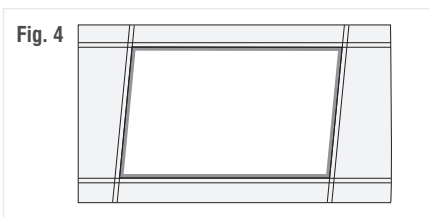


Commissioning

Ensure that the product is sitting properly on the suspended ceiling frame (see Fig. 4). Replace any other ceiling tiles.

Replace fuse or circuit breaker and switch on. Your light is now ready for use.



Technical data

Supply Voltage: 240 V~, 50 Hz

Bulb Type: 92276: 50W LED module (SMD), 4000K
92277: 50W LED module (SMD), 6000K

The light source of this luminaire is not replaceable; when the light source reaches its end of life the whole luminaire shall be replaced.

 Conformity with all relevant EC Directive requirements.

 The power supply is Double Insulated and does not require connection to an Earth circuit.

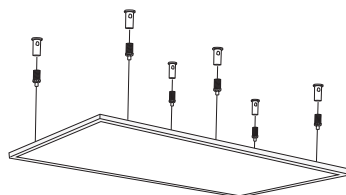
 Waste electrical products should not be disposed of with household waste. Please recycle where facilities exist. Check with your Local Authority or local store for recycling advice.

 This product is rated at IP40.

Accessories available

Suspension kit - 81744

This kit will allow the panels to be suspended up to 1 metre from the ceiling. Two set suspensikiton (6 strings) required for this panel light.



Recess Clip - 91237

Two set recess clip (6pcs) required for recessed mount on alternative ceilings. Installation details please refer to the instruction manual of Recess Clip.

Care and Safety

We recommend cleaning with a soft dry cloth. Do not use solvents or abrasive cleaners as these could damage the finish. For your safety, always switch off the power supply before cleaning.

Instruction manual


STRATUS

92276, 92277



Thank you for purchasing this light fitting. Please read the instructions carefully before use to ensure safe and satisfactory operation of this product. Please retain these instructions for future reference.

Warning

 This light fitting is double insulated and does not require connection to an Earth circuit.

Please read these instructions carefully before commencing any work

This unit must be fitted by a competent and qualified electrician.

Install in accordance with the IEE Wiring regulations and current Building Regulations.

Check the pack and make sure you have all the parts listed.

To prevent electrocution switch off at the mains supply before installing or maintaining this fitting. Ensure other persons cannot restore the electrical supply without your knowledge.

This light fitting should be connected to a fused circuit.

If replacing an existing fitting, make a careful note of the connections.

The mains supply cable must have a minimum cross section area of 1.0mm²

Cables must be protected using suitable conduit or plastic trunking.

This system contains non-replaceable parts and cannot be serviced. If damage occurs the part should be scrapped.

Waste electrical products should not be disposed of with household waste. Please recycle where facilities exist. Check with your local authority or retailer for recycling advice.

Layout

Plan the desired layout of these fittings carefully, ensuring the cables will reach the distances between the LED Driver and each light fitting.

Ensure there is adequate ventilation for the LED Driver.

Avoid locating any cables in positions that would cause a hazard. Position cables and junction boxes (not supplied) away from areas where they may be at risk from being cut, trapped or damaged.

These fittings are designed to be fitted into a suspended ceiling.

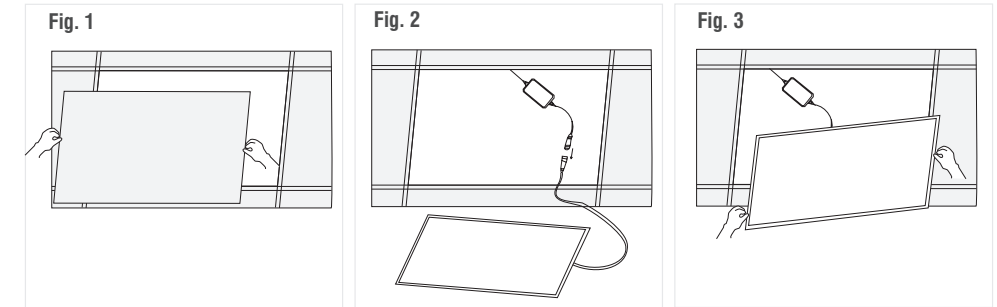
Panels are rated as TP(b) according to Building Regulations B2.

Installation

Existing fittings must be completely removed before installation of a new product. Before removing the existing fitting, carefully note the position of each set of wires.

Note that the switch is turned off before installation.

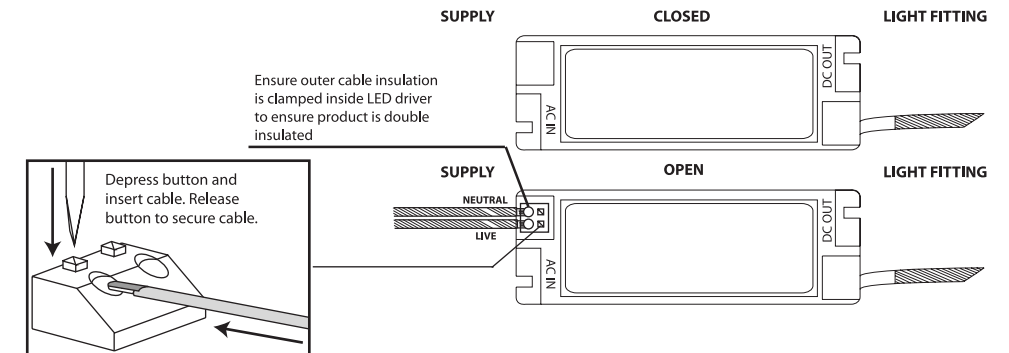
- If there is a ceiling tile in position then ensure that it is removed (See Fig. 1).
- Wire LED driver as shown below and connect driver cable to panel using push & twist connector (See Fig. 2)
- Refit the cover on the LED driver.
- Place panel fitting into the ceiling. Ensure that the fitting is sitting properly on the T bar of the suspended ceiling and is not fouling any of the supporting bars (See Fig. 3).



Wiring

Having correctly identified the wiring from your existing light fitting, pull the mains wire through the hole and connect to the connection block inside the LED driver in the following way:

This unit is double insulated and must not be earthed. If there are any incoming earth cables, they must be joined together and well insulated with good quality insulation tape. This is to ensure earth continuity throughout your property.



Check that...

You have correctly identified the wires.

The connections are tight.

No loose strands have been left out of the connection block.